

**Features**

- Operation Voltage from 8V to 80V
- Maximum Duty Cycle up to 85%
- Minimum Drop Out 2.0V
- Adjust VOUT from 1.25V to 20V
- Max. IOUT=2.1A at VOUT=5V
- Max. IOUT=1.2A at VOUT=15V
- Fixed 100KHz Switching Frequency
- Max. Output power less than 20W
- Internal Optimize HV Power MOSFET
- High efficiency up to 93%
- Excellent line and load regulation
- Built in current limit function
- Built in output short Protection Function
- TO263-7L package

**General Description**

The XL7056 is a 100KHz fixed frequency PWM buck (step-down) DC/DC converter, capable of driving a 2.1A load with high efficiency, low ripple and excellent line and load regulation. Requiring a minimum number of external components, the regulator is simple to use and include internal frequency compensation and a fixed-frequency oscillator.

The PWM control circuit is able to adjust the duty ratio linearly from 0 to 85%.

**Applications**

- Ebike Controller Power Supply
- Telecom / Networking Equipment

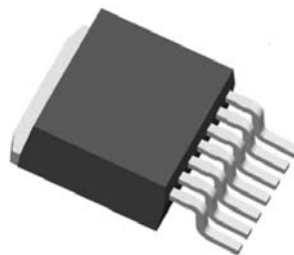


Figure1. Package Type of XL7056

<b>2.1A 100KHz 90V Buck DC to DC Converter</b>	<b>XL7056</b>
--	---------------

**Pin Configurations**

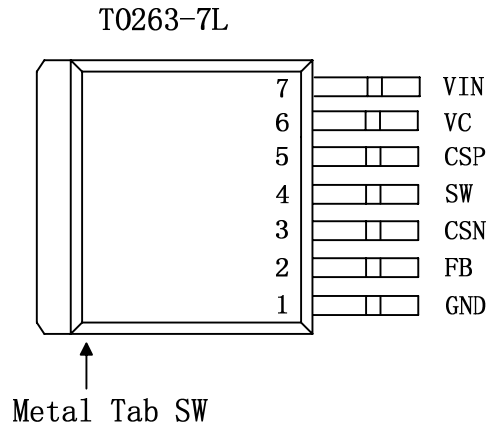


Figure2. Pin Configuration of XL7056 (Top View)

Table 1 Pin Description

Pin Number	Pin Name	Description
1	GND	Ground Pin. Care must be taken in layout. This pin should be placed outside of the Schottky Diode to output capacitor ground path to prevent switching current spikes from inducing voltage noise into XL7056.
2	FB	Feedback Pin (FB). Through an external resistor divider network, Feedback senses the output voltage and regulates it. The feedback threshold voltage is 1.25V.
3	CSN	Current Sense Negative Terminal.
4	SW	Power Switch Output Pin (SW). Output is the switch node that supplies power to the output. The Metal is SW.
5	CSP	Current Sense Positive Terminal.
6	VC	Internal Voltage Regulator Bypass Capacity. In typical system application, The VC pin connect a 1uF capacitor to VIN.
7	VIN	Supply Voltage Input Pin. XL7056 operates from 8V to 80V DC voltage. Bypass Vin to GND with a suitably large capacitor to eliminate noise on the input.

**2.1A 100KHz 90V Buck DC to DC Converter** **XL7056**

**Function Block**

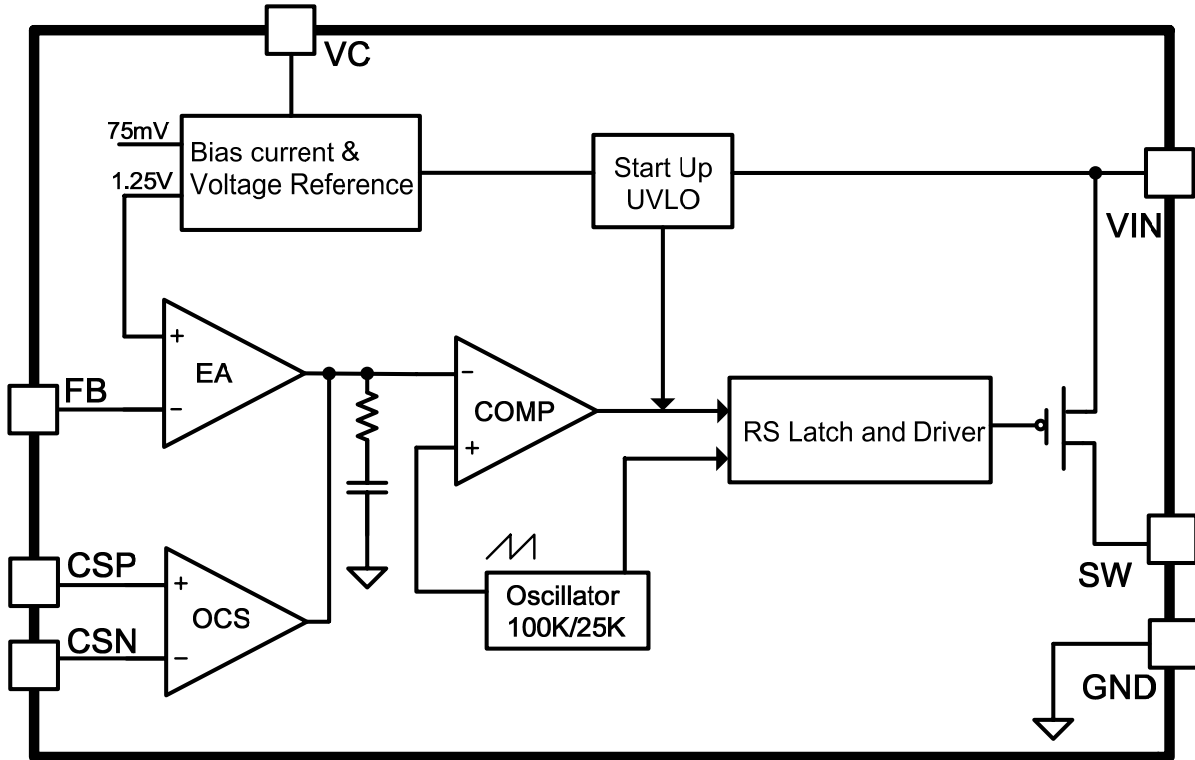
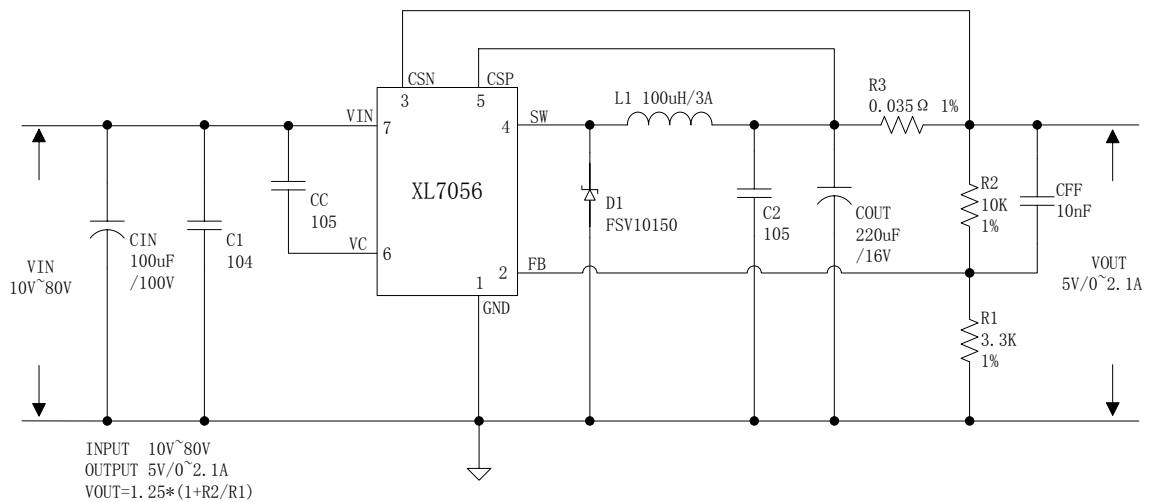


Figure3. Function Block Diagram of XL7056

**Typical Application Circuit**



R3 for limit maximum output current, R3 choose 0.035ohm in  $V_{OUT} \leq 5V$  application; R3 choose 0.055ohm in  $V_{OUT} > 5V$  application.

Figure4. XL7056 Typical Application Circuit

## 2.1A 100KHz 90V Buck DC to DC Converter

XL7056

### Ordering Information

Order Information	Marking ID	Package Type	Packing Type Supplied As
XL7056E1	XL7056E1	TO263-7L	800 Units on Tape & Reel

XLSEMI Pb-free products, as designated with “E1” suffix in the par number, are RoHS compliant.

### Absolute Maximum Ratings (Note1)

Parameter	Symbol	Value	Unit
VIN Pin Voltage	$V_{IN}$	-0.3 to 90	V
FB Pin Voltage	$V_{FB}$	-0.3 to 5	V
SW Pin Voltage	$V_{SW}$	-0.3 to VIN	V
Power Dissipation	$P_D$	Internally limited	mW
Thermal Resistance (TO263-7L) (Junction to Ambient, No Heatsink, Free Air)	$R_{JA}$	30	°C/W
Maximum Junction Temperature	$T_J$	-40 to 150	°C
Operating Junction Temperature	$T_J$	-40 to 125	°C
Storage Temperature	$T_{STG}$	-65 to 150	°C
Lead Temperature (Soldering, 10 sec)	$T_{LEAD}$	260	°C
ESD (HBM)		>3000	V

**Note1:** Stresses greater than those listed under Maximum Ratings may cause permanent damage to the device. This is a stress rating only and functional operation of the device at these or any other conditions above those indicated in the operation is not implied. Exposure to absolute maximum rating conditions for extended periods may affect reliability.

**2.1A 100KHz 90V Buck DC to DC Converter**

**XL7056**

**XL7056 Electrical Characteristics**

T<sub>a</sub> = 25 °C; unless otherwise specified.

Symbol	Parameter	Test Condition	Min.	Typ.	Max.	Unit
<i>System parameters test circuit figure4</i>						
VFB	FB Voltage	V <sub>in</sub> =20V to 80V, V <sub>out</sub> =15V I <sub>load</sub> =0.5A	1.225	1.25	1.275	V
η	Efficiency	V <sub>in</sub> =24V, V <sub>out</sub> =15V I <sub>out</sub> =1.2A	-	95	-	%
η	Efficiency	V <sub>in</sub> =36V, V <sub>out</sub> =15V I <sub>out</sub> =1.2A	-	94	-	%
η	Efficiency	V <sub>in</sub> =48V, V <sub>out</sub> =15V I <sub>out</sub> =1.2A	-	93	-	%
η	Efficiency	V <sub>in</sub> =60V, V <sub>out</sub> =15V I <sub>out</sub> =1.2A	-	92	-	%
η	Efficiency	V <sub>in</sub> =72V, V <sub>out</sub> =15V I <sub>out</sub> =1.2A	-	91	-	%

**Electrical Characteristics (DC Parameters)**

V<sub>in</sub> = 48V, GND=0V, V<sub>in</sub> & GND parallel connect a 47uf/100V capacitor; I<sub>out</sub>=0.2A, T<sub>a</sub> = 25 °C; the others floating unless otherwise specified.

Parameters	Symbol	Test Condition	Min.	Typ.	Max.	Unit
Input operation voltage	V <sub>in</sub>				80	V
VIN UVLO	V <sub>in_uvlo</sub>			6		V
Quiescent Supply Current	I <sub>q</sub>	V <sub>FB</sub> =2V		2.1	5	mA
Oscillator Frequency	F <sub>osc</sub>		75	100	135	KHz
Switch Current Limit	I <sub>L</sub>	V <sub>FB</sub> =0, R3=0.035 Ω		2.3		A
Output Power PMOS	R <sub>dson</sub>	V <sub>IN</sub> =48V, I <sub>SW</sub> =1.0A			260	mohm

**Typical Performance Characteristics**

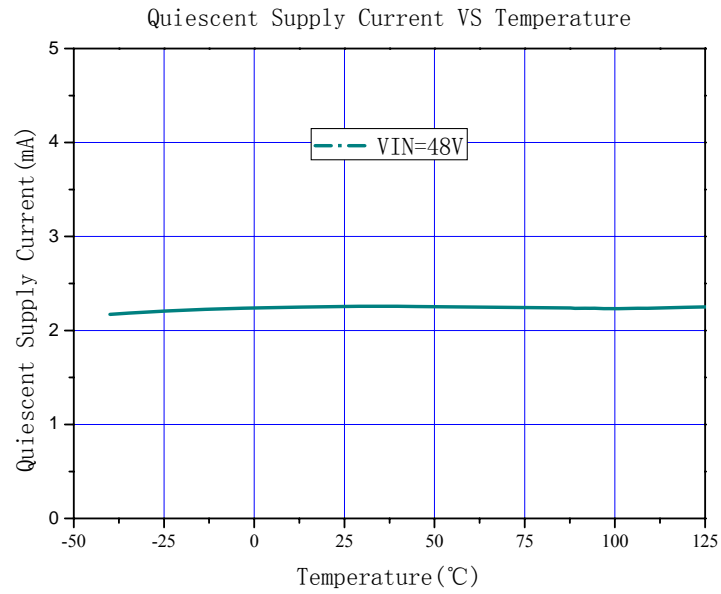


Figure5. Quiescent Current Curve

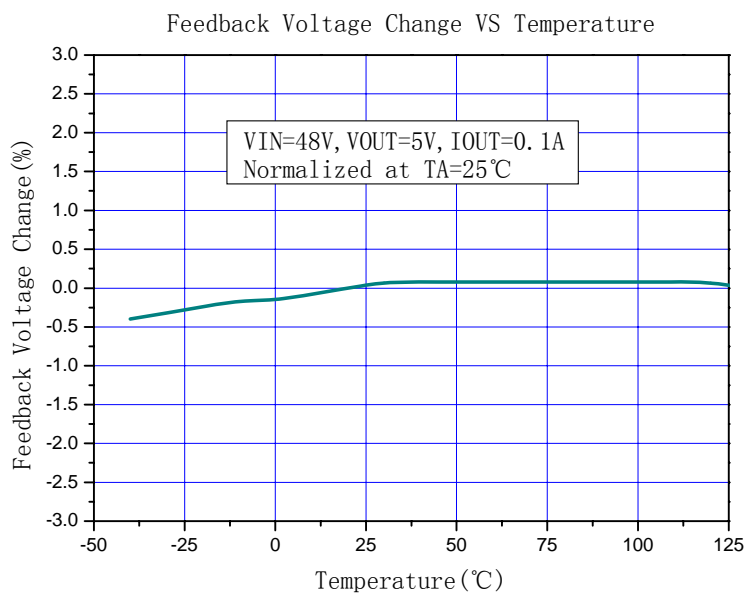


Figure6. Feedback Voltage Curve

**2.1A 100KHz 90V Buck DC to DC Converter** **XL7056**

**Typical System Application (VOUT=15V, IOU=0~1.2A)**

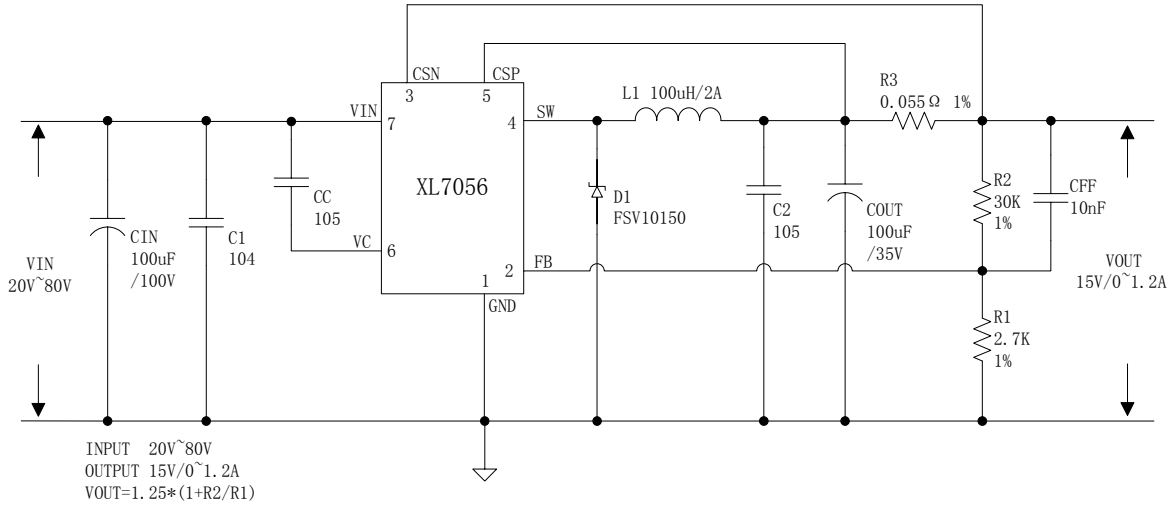


Figure7. XL7056 System Application (VIN=20V~80V, VOUT=15V, IOU=0~1.2A)

**Efficiency VS Output current**

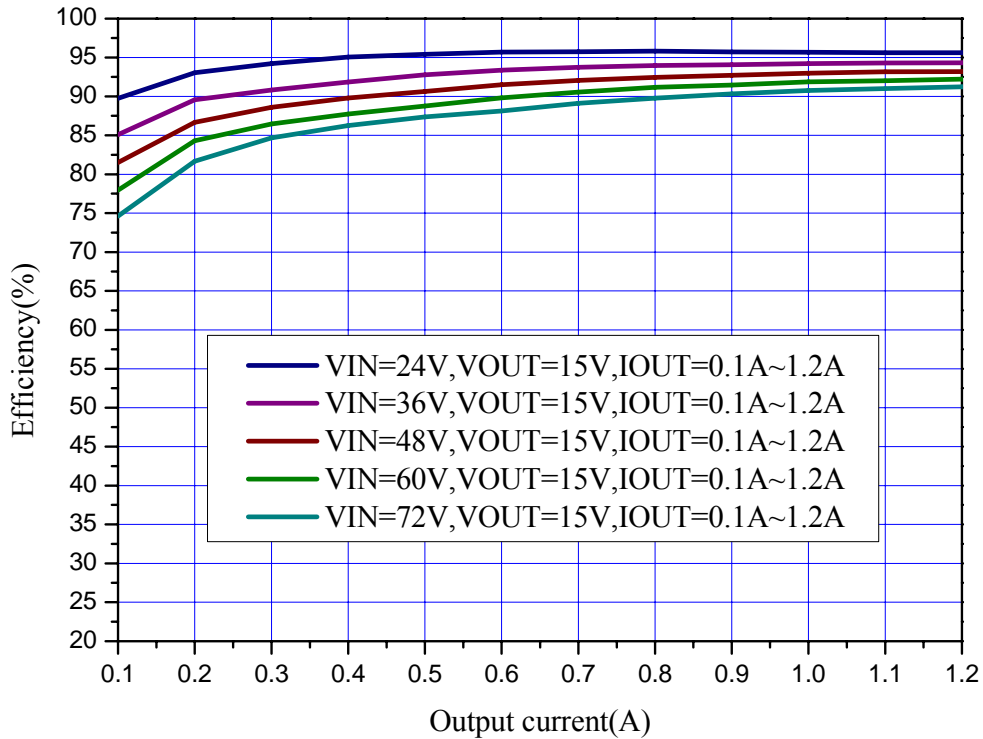


Figure8. XL7056 System Application (Efficiency VS Output Current)

**2.1A 100KHz 90V Buck DC to DC Converter** **XL7056**

**Typical System Application (VOUT=5V, IOU=0~2.1A)**

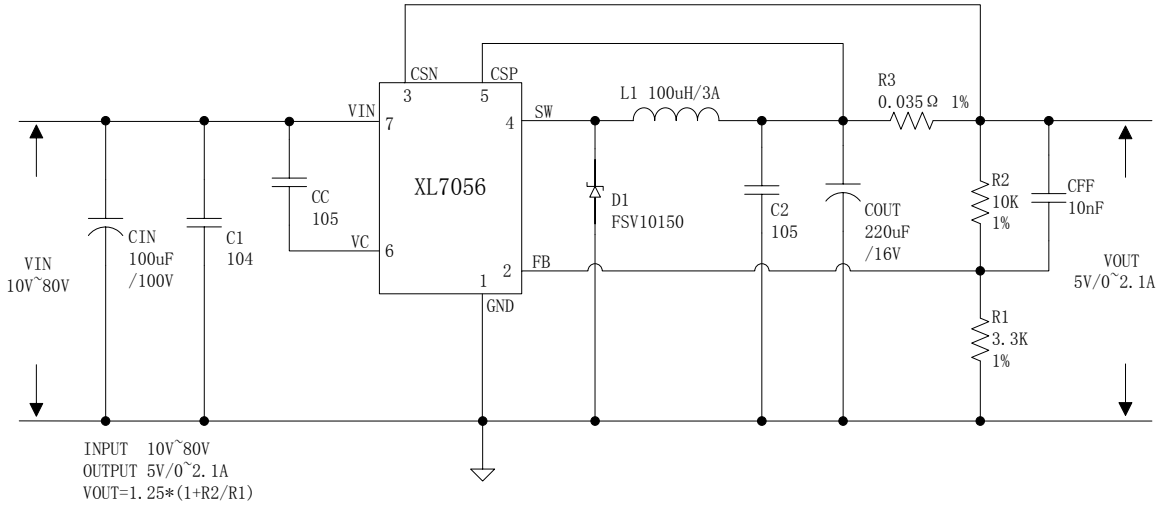


Figure9. XL7056 System Application (VIN=10V~80V, VOUT=5V, IOU=0~2.1A)

**Efficiency VS Output current**

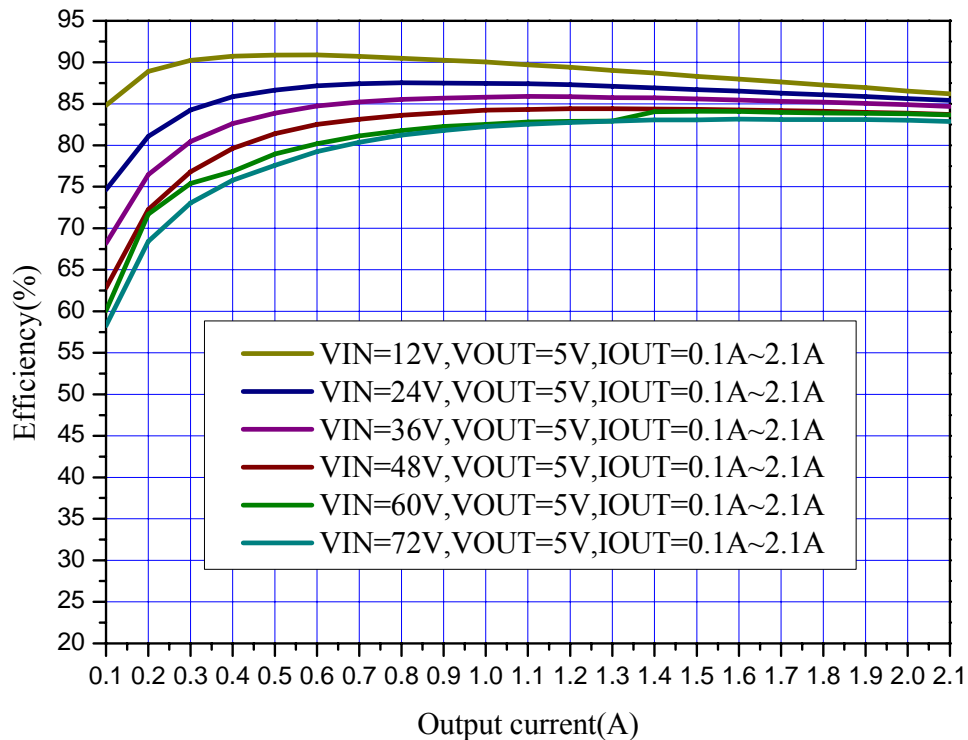


Figure10. XL7056 System Application (Efficiency VS Output Current)



**2.1A 100KHz 90V Buck DC to DC Converter** **XL7056**

**Typical System Application (VOUT=3.3V, IOU=0~2.1A)**

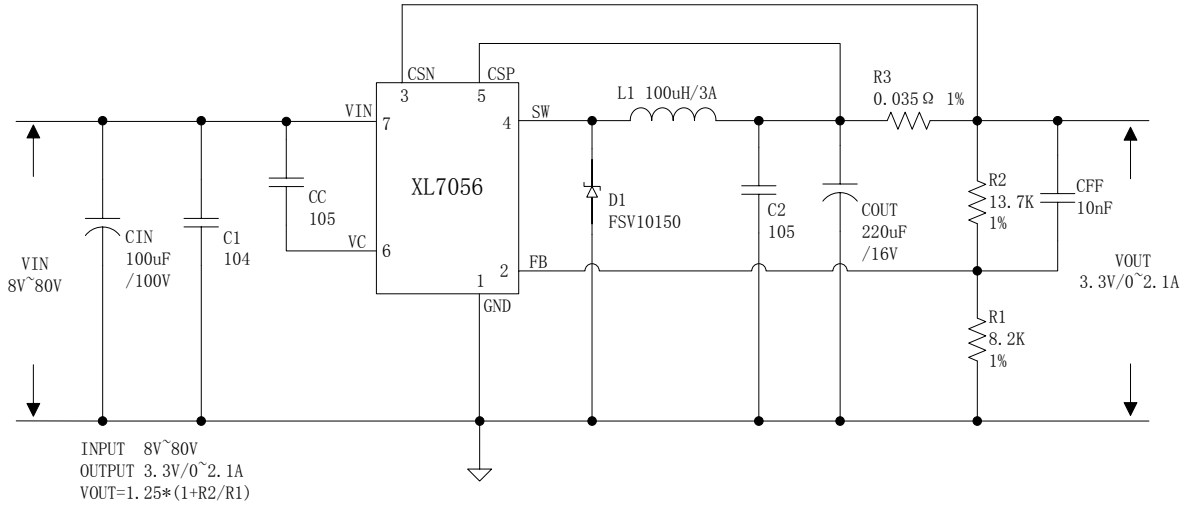


Figure11. XL7056 System Application (VIN=8V~80V, VOUT=3.3V, IOU=0~2.1A)

**Efficiency VS Output current**

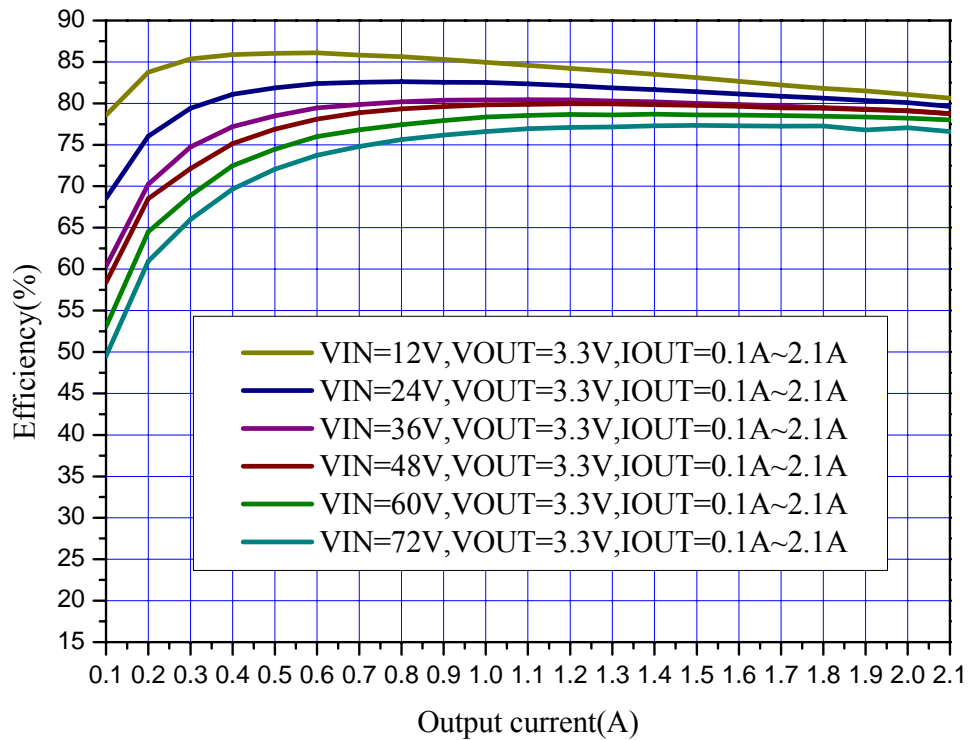
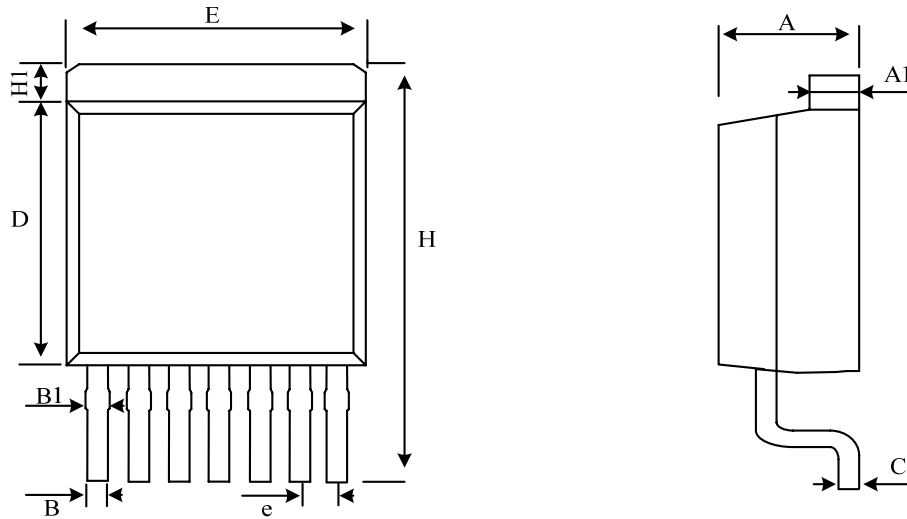


Figure12. XL7056 System Application (Efficiency VS Output Current)

### Package Information

### Package Information (TO263-7L)



字符	Dimensions In Millimeters		Dimensions In Inches	
	Min	Max	Min	Max
A	4.25	4.55	0.167	0.179
A1	1.20	1.40	0.047	0.055
B	0.50	0.70	0.020	0.028
B1	0.58	0.84	0.023	0.033
C	0.40	0.60	0.016	0.024
D	9.05	9.45	0.356	0.372
E	9.80	10.20	0.386	0.402
e	1.27 (BSC)		0.050 (BSC)	
H	14.65	15.35	0.577	0.604
H1	0.80	1.20	0.031	0.047

**Important Notice**

XLSEMI reserve the right to make modifications, enhancements, improvements, corrections or other changes without notice at any time. XLSEMI does not assume any liability arising out of the application or use of any product described herein; neither does it convey any license under its patent rights, nor the rights of others. XLSEMI assumes no liability for applications assistance or the design of Buyers' products. Buyers are responsible for their products and applications using XLSEMI components. To minimize the risks associated with Buyers' products and applications, Buyers should provide adequate design and operating safeguards. XLSEMI warrants performance of its products to the specifications applicable at the time of sale, in accordance with the warranty in XLSEMI's terms and conditions of sale of semiconductor products. Testing and other quality control techniques are used to the extent XLSEMI deems necessary to support this warranty. Except where mandated by applicable law, testing of all parameters of each component is not necessarily performed. For the latest product information, go to [www.xlsemi.com](http://www.xlsemi.com).